

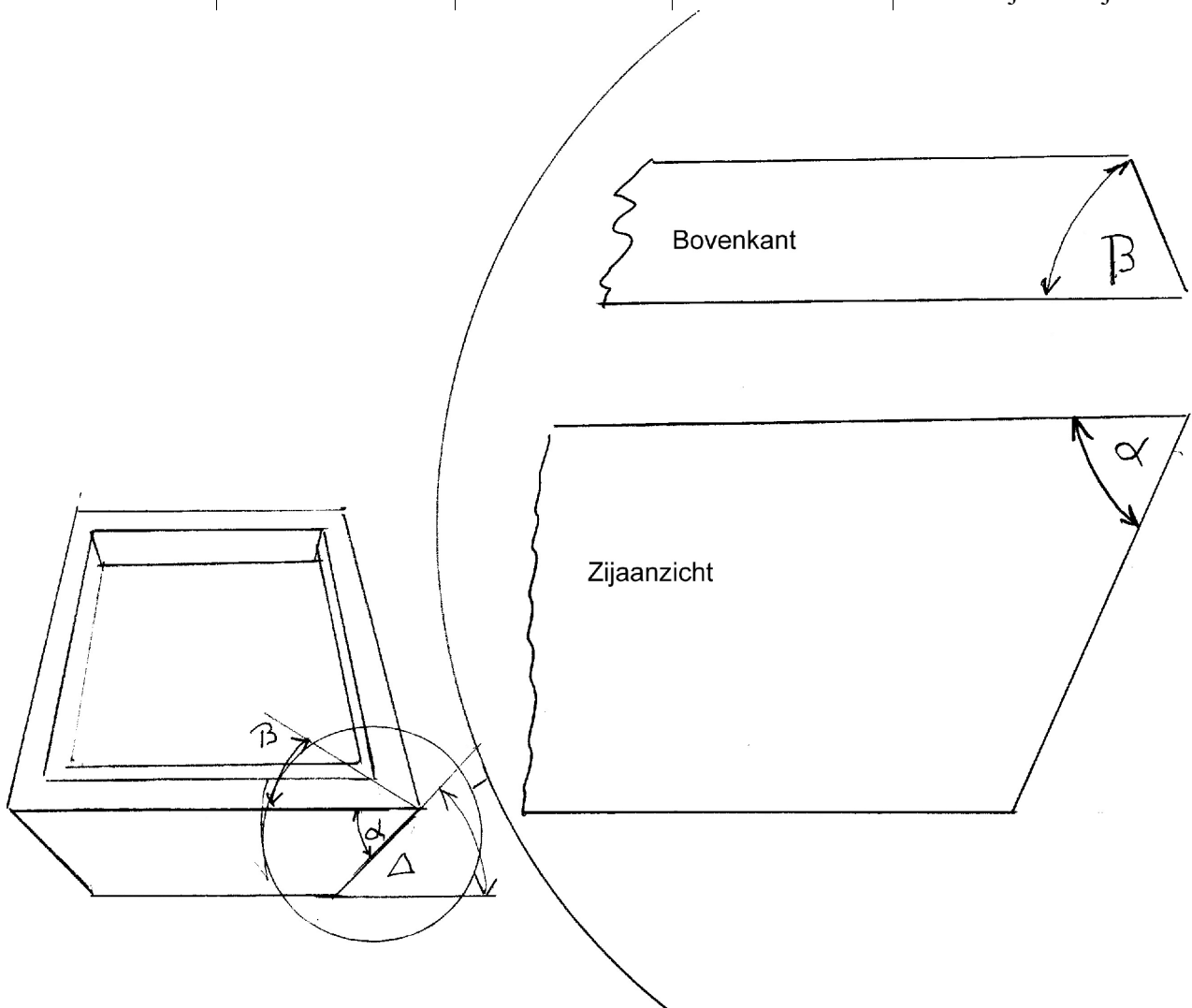
Aardappelbak

De volgende formules zijn geldig :

- $\alpha = 90^\circ - \text{ATAN}(\text{COS } \Delta)$
- $\beta = 90 - \text{ATAN}(\text{SIN } \Delta)$
- $Z = \text{ATAN}(\text{TAN } \beta / \text{SIN } \alpha) =$ de hoek waarop de cirkelzaag ingesteld moet worden

In de tabel zijn enkele waarden van Δ doorgerekend

Δ	α	β	Z	<i>opmerking</i>
90°	90°	45°	45°	Zo maak je een kist
60°	63,43°	49,11°	52,24°	
45°	54,74°	54,74°	60°	
30°	49,11°	63,43°	69,29°	
0°	45°	90°	90°	Zo maak je een lijst



Δ	α	β	z
90	90	45	45
89	89,00015	45,00436	45,00873
88	88,00122	45,01746	45,03489
87	87,0041	45,03929	45,07847
86	86,00971	45,06987	45,1394
85	85,01893	45,10922	45,21762
84	84,03263	45,15737	45,31302
83	83,05166	45,21433	45,4255
82	82,07686	45,28016	45,55492
81	81,10902	45,35488	45,70113
80	80,14892	45,43855	45,86397
79	79,1973	45,53121	46,04325
78	78,25487	45,63292	46,23876
77	77,32229	45,74373	46,45029
76	76,40019	45,86373	46,67761
75	75,48918	45,99297	46,92048
74	74,5898	46,13154	47,17865
73	73,70257	46,27952	47,45185
72	72,82796	46,437	47,7398
71	71,9664	46,60407	48,04224
70	71,11828	46,78082	48,35886
69	70,28395	46,96737	48,68937
68	69,46372	47,16382	49,03347
67	68,65787	47,37028	49,39087
66	67,86662	47,58688	49,76124
65	67,09019	47,81374	50,14429
64	66,32874	48,05099	50,5397
63	65,5824	48,29875	50,94717
62	64,85128	48,55718	51,36637
61	64,13545	48,82642	51,797
60	63,43495	49,10661	52,23876
59	62,74981	49,3979	52,69133
58	62,08002	49,70045	53,15441
57	61,42556	50,01443	53,6277
56	60,78639	50,33999	54,11091
55	60,16243	50,67731	54,60374
54	59,55362	51,02655	55,1059
53	58,95984	51,38789	55,61711
52	58,38099	51,76151	56,13709
51	57,81696	52,14758	56,66556
50	57,26759	52,54628	57,20225
49	56,73276	52,9578	57,7469
48	56,21231	53,38231	58,29925
47	55,70608	53,81999	58,85905
46	55,2139	54,27103	59,42605
45	54,73561	54,73561	60
44	54,27103	55,2139	60,58067
43	53,81999	55,70608	61,16783
42	53,38231	56,21231	61,76124
41	52,9578	56,73276	62,3607
40	52,54628	57,26759	62,96598
39	52,14758	57,81696	63,57687
38	51,76151	58,38099	64,19317

37	51,38789	58,95984	64,81468
36	51,02655	59,55362	65,4412
35	50,67731	60,16243	66,07254
34	50,33999	60,78639	66,70851
33	50,01443	61,42556	67,34894
32	49,70045	62,08002	67,99364
31	49,3979	62,74981	68,64245
30	49,10661	63,43495	69,29519
29	48,82642	64,13545	69,9517
28	48,55718	64,85128	70,61182
27	48,29875	65,5824	71,27539
26	48,05099	66,32874	71,94226
25	47,81374	67,09019	72,61228
24	47,58688	67,86662	73,2853
23	47,37028	68,65787	73,96118
22	47,16382	69,46372	74,63977
21	46,96737	70,28395	75,32094
20	46,78082	71,11828	76,00455
19	46,60407	71,9664	76,69048
18	46,437	72,82796	77,37858
17	46,27952	73,70257	78,06874
16	46,13154	74,5898	78,76082
15	45,99297	75,48918	79,45471
14	45,86373	76,40019	80,15028
13	45,74373	77,32229	80,8474
12	45,63292	78,25487	81,54597
11	45,53121	79,1973	82,24587
10	45,43855	80,14892	82,94698
9	45,35488	81,10902	83,64918
8	45,28016	82,07686	84,35237
7	45,21433	83,05166	85,05643
6	45,15737	84,03263	85,76124
5	45,10922	85,01893	86,46671
4	45,06987	86,00971	87,17272
3	45,03929	87,0041	87,87916
2	45,01746	88,00122	88,58593
1	45,00436	89,00015	89,29291
0	45	90	90